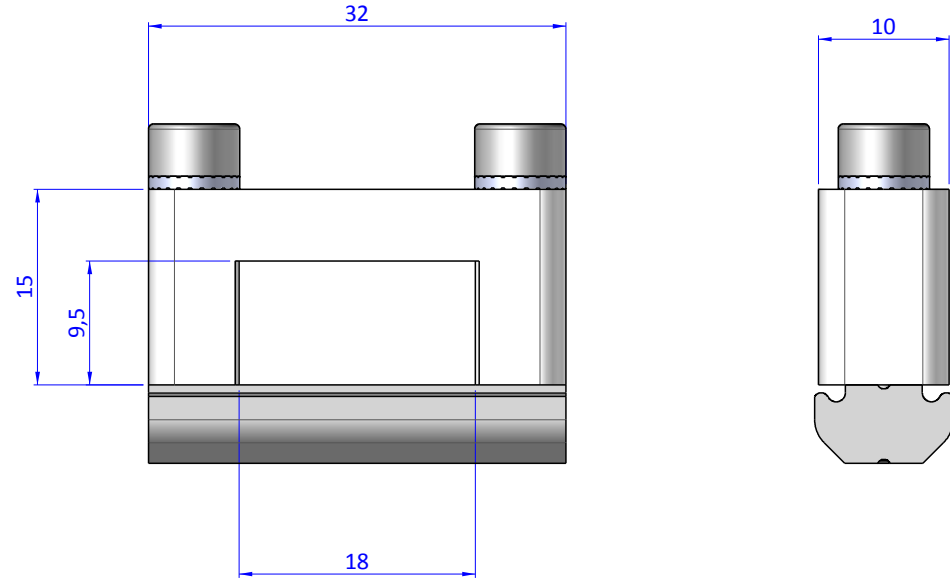
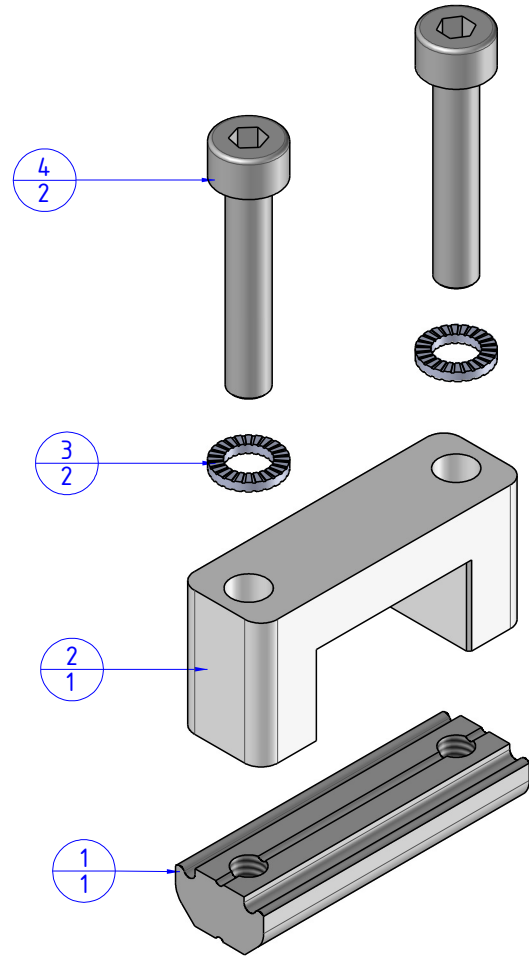



THE PROPERTY OF THE DRAWING IS ESTABLISHED BY LAW. IT IS FORBIDDEN TO PRODUCE OR SHOW IT TO THIRD PARTY, WITHOUT A WRITTEN AGREEMENT.

Item	Name	Q.ty
1	CA.GWP.4.25	1
2	KBVL.1810	1
3	R.4.SCH	2
4	V.TCE4x22	2



Format A3

UNI 936-76

 FPS SERVICES AUTOMATION		DESIGNED FROM		REVIEW
		FPS Automation		A
GENERAL TOLERANCE		DATE	WEIGHT	
UNI - ISO 2768		12/03/2019	0,013kg	
CLASSE f		CODE		
		CA.KBVL.1810		CA.KBVL.1810